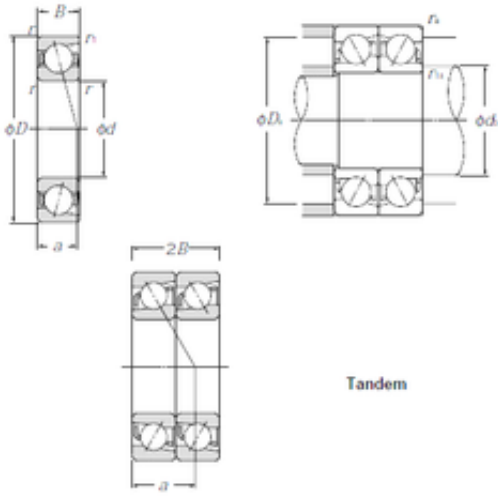




NTN BEARING CORP.OF CANADA LTD.



50 mm x 65 mm x 7 mm CYSD 7810CDT
angular contact ball bearings

Bearing No. 7810CDT

Size	50x65x7 mm
Bore Diameter	50 mm
Outer Diameter	65 mm
Width	7 mm
d	50 mm
D	65 mm
B	7 mm
C	7 mm
Angle ()	15 °
r min.	0,3 mm
2B	14 mm
Weight	0,098 Kg
Basic dynamic load rating (C)	128 kN
Basic static load rating (C0)	16,1 kN
(Grease) Lubrication Speed	11000 r/min

7810CDT Bearing 2D drawings and 3D CAD models