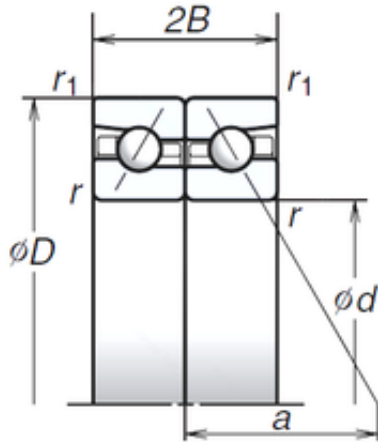




# NTN BEARING CORP.OF CANADA LTD.

50 mm x 80 mm x 14,25 mm NSK 50BAR10S  
angular contact ball bearings



Bearing No. 50BAR10S

Size	50x80x14.25 mm
Bore Diameter	50 mm
Outer Diameter	80 mm
Width	14,25 mm
d	50 mm
D	80 mm
B	14,25 mm
C	14,25 mm
Angle ( ° )	30 °
a	25,7 mm
r min.	1 mm
r1 min.	0,6 mm
2B	28,5 mm
Weight	0,272 Kg
Basic dynamic load rating (C)	14,7 kN
Basic static load rating (C0)	27,7 kN
(Grease) Lubrication Speed	11 600 r/min
(Oil) Lubrication Speed	14 700 r/min

50BAR10S Bearing 2D drawings and 3D CAD models